

## Lms15LED-TEM-R



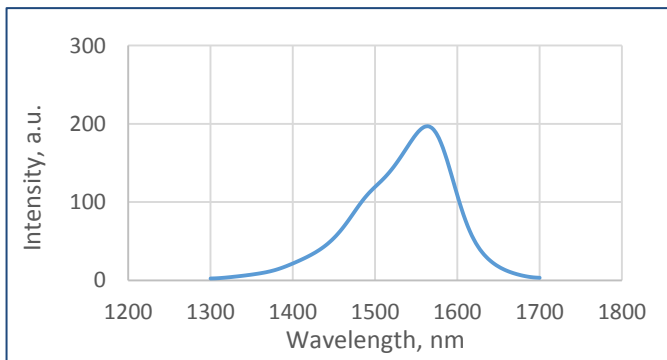
Device parameters	Symbol	Value	Units
Operating/ storage temperature	$T_{\text{stg}}$	+5..+90*	$^{\circ}\text{C}$
Soldering temperature (can be applied for not more than 5 secs)	$T_{\text{sol}}$	+180	$^{\circ}\text{C}$

\*LED design for different storage/operating temperature range can be considered under request.

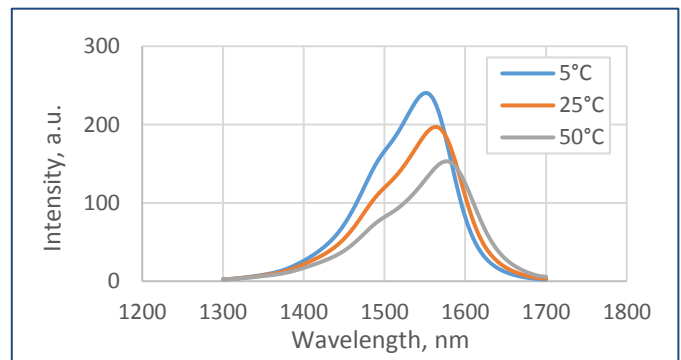
All parameters are for LED operation at 25 $^{\circ}\text{C}$  unless otherwise stated.

LED parameters	Conditions	Symbol	Value	Units
Peak emission wavelength <sup>1</sup>	qCW mode <sup>3</sup> $I = 25 \text{ mA}$	$\lambda_p$	1.50 - 1.59	$\mu\text{m}$
FWHM of the emission band <sup>1</sup>	qCW mode <sup>3</sup> $I = 25 \text{ mA}$	FWHM	110 - 140	nm
Average optical power (minimal / typical) <sup>1</sup>	qCW mode <sup>3</sup> $I = 200 \text{ mA}$	$P_{\text{qCW}}$	min 5 / typ 7	mW
Peak optical power (minimal / typical) <sup>2</sup>	Pulse mode <sup>4</sup> $I = 1 \text{ A}$	$P_{\text{pul}}$	min 14 / typ 18	mW
Maximum operating current	qCW mode <sup>3</sup>	$I_{\text{qCW}}$	200	mA
	Pulse mode <sup>4</sup>	$I_{\text{pul}}$	1	A
	DC mode <sup>5</sup>	$I_{\text{DC}}$	100	mA
Forward voltage <sup>1</sup>	qCW mode <sup>3</sup> $I = 200 \text{ mA}$	V	0.8 - 1.1	V

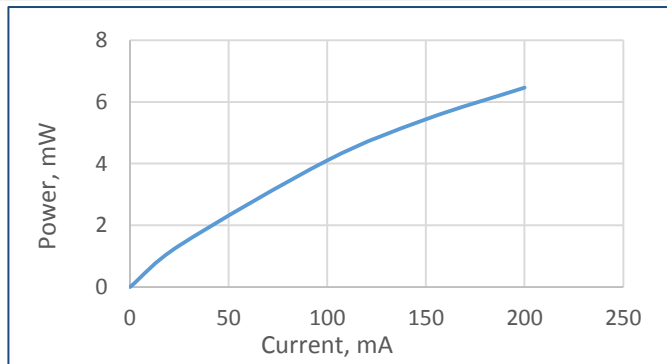
Typical spectrum (qCW<sup>3</sup>, 25 mA)



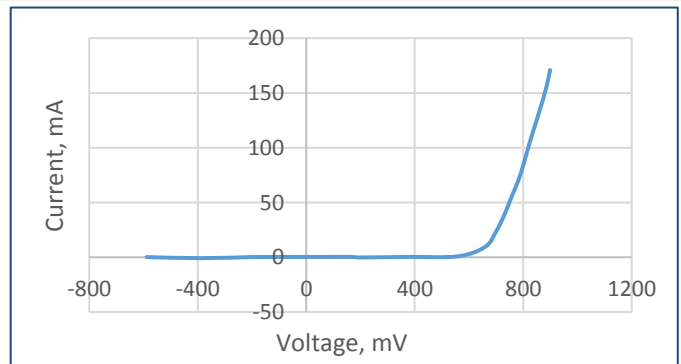
Spectra at different temperatures (qCW<sup>3</sup>, 25 mA)



Typical optical power characteristic (qCW<sup>3</sup>)



Typical current-voltage characteristic (qCW<sup>3</sup>)



<sup>1</sup> Parameter tested for each device.

<sup>2</sup> Parameter tested for representative sampling.

<sup>3</sup> qCW mode: repetition rate: 0.5 KHz, pulse duration: 1 ms, duty cycle: 50%.

<sup>4</sup> Pulse mode: repetition rate: 0.5 KHz, pulse duration: 20  $\mu\text{s}$ , duty cycle: 1%.

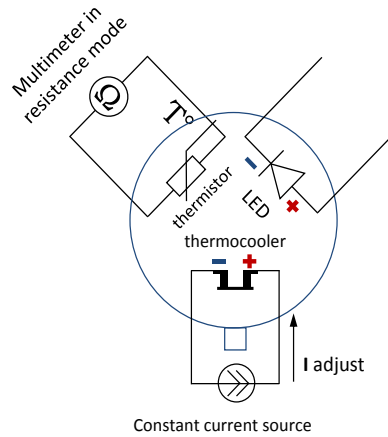
<sup>5</sup> DC mode: direct current.

Packages	Model
TO-18 with a cap with a glass window	Lms15LED
TO-18 with a parabolic reflector without a glass window	Lms15LED-R
TO-18 with a parabolic reflector with a glass window	Lms15LED-RW
TO-5 with a built-in thermocooler and thermoresistor, covered by a cap with a glass window	Lms15LED-TEM
TO-5 with a built-in thermocooler and thermoresistor, covered by a parabolic reflector with a glass window	Lms15LED-TEM-R

Related products:

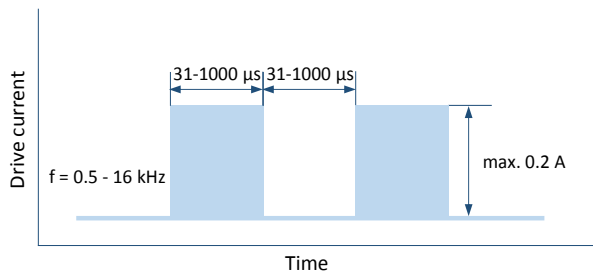
- **Photodiodes Lms24PD, Lms25PD series** - detectors of mid-infrared radiation;
- **LED drivers (D-41i, D-51i, minidrivers mD-1c, mD-1p)** - provide LED power supply in pulse modes.

To drive the LED we recommend the following basic circuit connection:

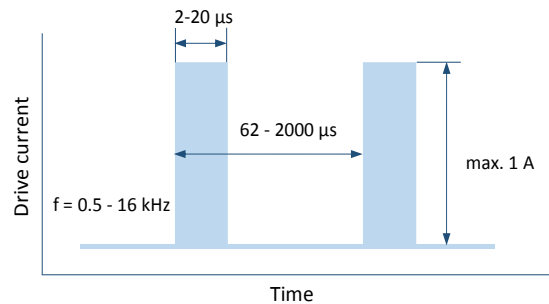


We recommend using **Quasi Continuous Wave (qCW) mode** with a duty cycle 50% or 25% to obtain maximum average optical power and short **Pulse modes** to obtain maximum peak power.

### Quasi Continuous Wave (qCW) mode



### Pulse mode

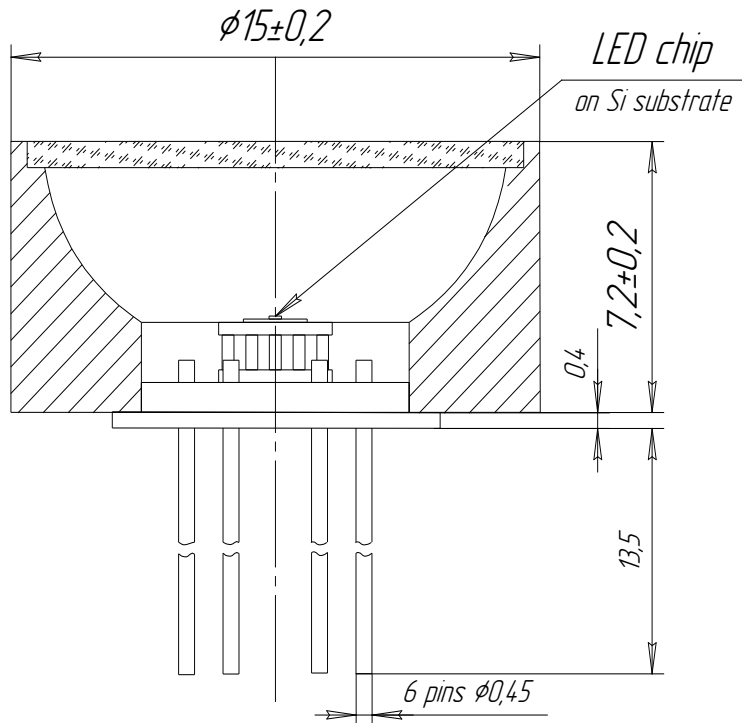


### IMPORTANT CAUTIONS:

- please check your connection circuit before turning on the LED;
- please mind the LED polarity: anode is marked with a RED dot; REVERSE voltage applying is FORBIDDEN;
- please do not connect the LED to the multimeter;
- please control the CURRENT applied to the LED in order NOT to EXCEED the maximum allowable values.

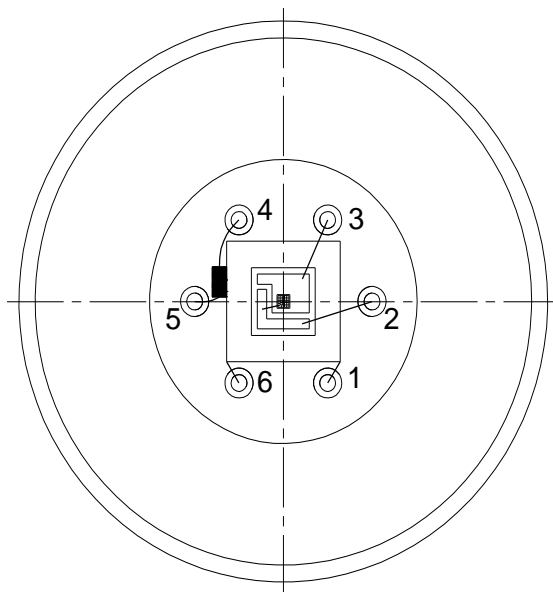
Technical Drawing

Lms15LED-TEM-R



- 1 - TEC +
- 2 - LED anode
- 3 - LED cathode
- 4 - thermistor
- 5 - thermistor
- 6 - TEC -

TOP VIEW



BOTTOM VIEW

