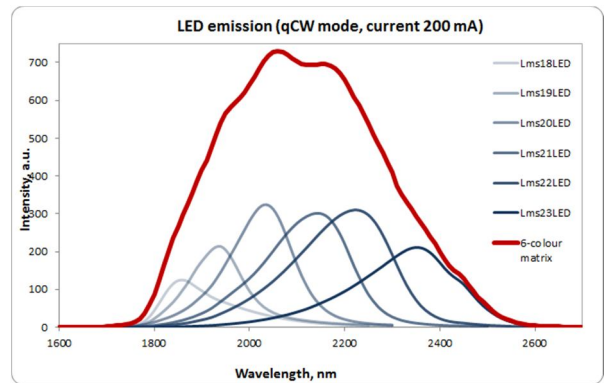
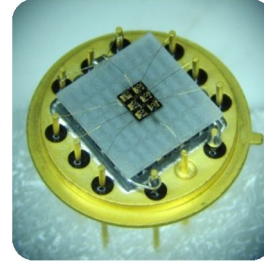
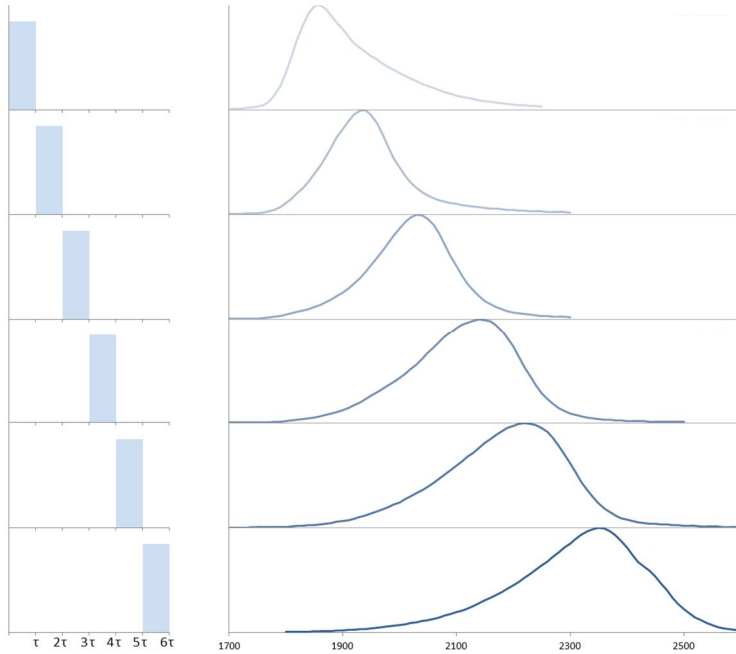


LED Microsensor NT presents its new standard **6-element multi-wavelength LED matrix** with peak wavelengths at **1.8, 1.9, 2.0, 2.1, 2.2 and 2.3  $\mu\text{m}$**  in TO5 or in TO8 package with a built-in thermoelectric module and a parabolic reflector with a quartz window.



Standard multi-wavelength LED matrix **Lms18-19-20-21-22-23LED-6M**

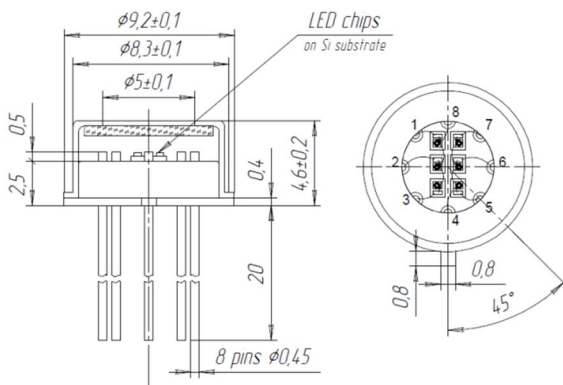
LED chip #	Peak emission wavelength, $\mu\text{m}$		FWHM of the emission band, nm		Power, mW				Voltage*, V		Operating temperature range, $^{\circ}\text{C}$
					QCW mode*		Pulse mode**				
	Min	Max	Min	Max	Min	Max	Min	Max	Min	Max	
Lms18LED	1.80	1.89	100	200	0.5	1.1	8	25	0.5	1.5	-60 to +80
Lms19LED	1.90	1.99	100	200	0.6	1.2	15	30	0.5	1.5	
Lms20LED	2.00	2.09	150	250	0.6	1.2	15	30	0.5	1.5	
Lms21LED	2.10	2.19	150	250	0.6	1.2	10	25	0.5	1.0	
Lms22LED	2.20	2.29	150	250	0.6	1.2	10	25	0.5	1.0	
Lms23LED	2.30	2.39	170	270	0.5	1.0	8	20	0.5	1.0	

\* Repetition rate: 0.5 kHz, pulse duration: 1 ms, duty circle: 50%, current: 200 mA

\*\* Repetition rate: 2 kHz, pulse duration: 0.5  $\mu\text{s}$ , duty circle: 0.1%, current: 1 A

### Standard matrix packages:

TO-5 package with a cap



TO-8 package with a thermoelectric module with a cap

