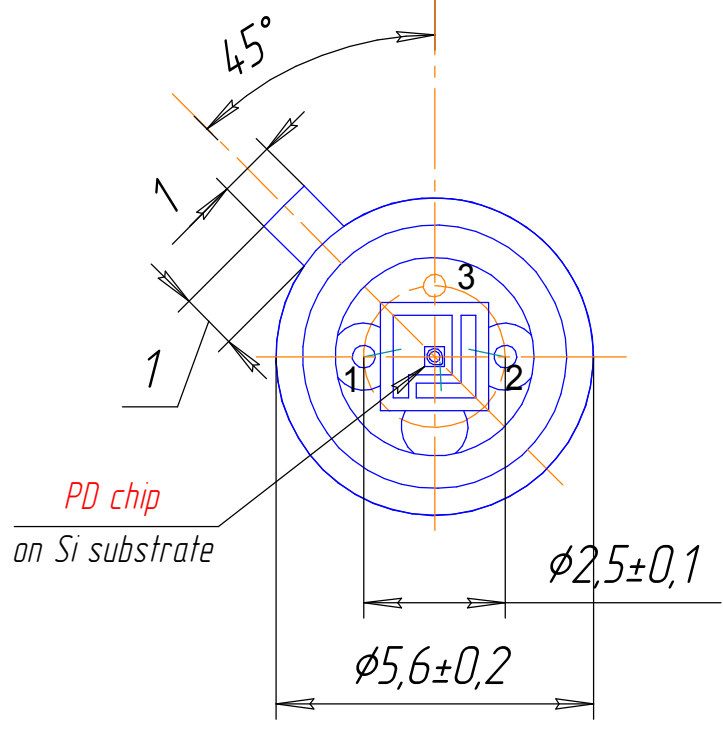


TOP VIEW



- 1 - PD cathode
- 2 - PD anode
- 3 - ground pin

